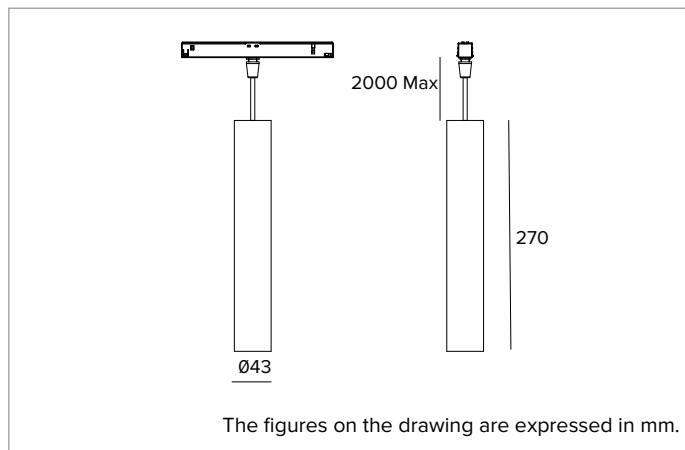


# 1T9928DA | FORTYEIGHT Label 4 - Suspension

Professional low voltage LED fixture for direct lighting



	3000K	H(m)	D(m)	Emax(lx)		
	Ra90		18°			
	Fixture Power	8W	1	0.31	3815	
	Source Flux	889lm	2	0.62	954	
	Fixture Flux	563lm	3	0.93	424	
TS1966	I <sub>max</sub> =4291cd/klm	Efficacy	75lm/W	4	1.24	238
		I <sub>max</sub>	3815cd	5	1.55	153



## SOURCE

High efficiency Chip on Board LED Ra90. 3500K on request.

**Energy efficiency class:** F

**Nominal power:** 6,9W

**Nominal flux:** 889lm

**Colour rendering index:** 90

**Rf:** 92

**Rg:** 101

**CCT nominal:** 3000K

**SDCM:** 1.5

**Lifetime (L80/B10):** >50000h tq +25°C

## ILLUMINOTECHNICAL CHARACTERISTICS

SP Version - metallised polycarbonate precision optics, a holographic diffusion filter and a black silicone cut off ring.

**Optic:** REFLECTOR

**Beam angles:** SP

**Optical efficiency:** 63%

**Fixture flux:** 563lm

**Luminous efficacy:** 75lm/W

**Photobiological safety:** Compliant with RG1 low risk group

## MECHANICAL CHARACTERISTICS

Cylindrical body in CNC machined aluminum and coated with powder paint.

**Colour and finish:** Deep black

**Dimensions:** D=43mm

**Weight:** 0.4Kg

**Version:** DALI

**Degree of protection:** IP20

## ELECTRICAL CHARACTERISTICS

DALI version, track power supply. Casambi control system available using a dedicated accessory.

**Fixture Power:** 8W

**Power supply:** 48Vdc

**Insulation Class:** CLASS 3

**Class F:** YES

**Ambient temperature:** 0°C / +25°C

## INSTALLATION

Complete with 2000mm long multicore suspension cable in coloured fabric with lenght adjustment system. Black feeding cable. Quick coupling system for mounting the product on the track.

## NOTES

Not polarized fixture. Black adapter. 110-277Vac version available on request. Commissioning of the control system via free APP; the intervention of a specialist technician can be quoted on request.

## WARRANTY

5 years.

## WARNING

Luminaire designed for disposal/recycling at end-of-life. Replaceable (LED only) light source by a professional. Replaceable control gear by a professional.

*Due to the technological evolution of the electronic components, the data provided may be updated, and as such, confirmation must be requested during the order process. Luminous flux and power supply have +/-10% tolerances with respect to the indicated value. tq +25°C (CIE 121).*

*We reserve the right to make technical changes.*

Targetti Sankey S.r.l.  
Via Pratese, 164  
50145 Firenze - Italy  
Tel: +39 055 37911  
targetti.com  
targetti@targetti.com

CCIAA Firenze  
Share Capital:  
€ 500.000,00  
VAT N. (IT):  
01537660480  
R.E.A: FI-275656

